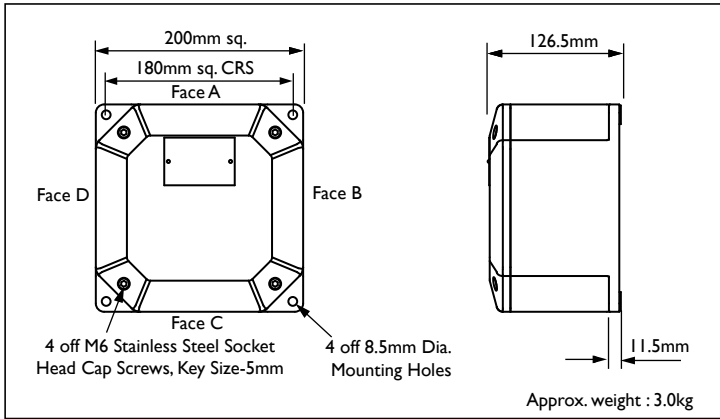




Enclosure Type Glass Reinforced Polyester PL620

Increased Safety EExe

PL6 Series GRP Enclosures



MAXIMUM QUANTITY OF ENTRIES PER FACE					
Thread Size	M16/M20	M25	M32	M40	M50
Quantity	6	4	2	1	1

Note: For Cable Entry Positions see page 12.

Technical Data

- Increased Safety EExe. II 2 GD EExe II.
- PL620 BASEEFA Certificate No. BAS 01 ATEX 2107X.
- ZPL620 BASEEFA Certificate No. BAS 01 ATEX 2101U.
- Suitable for use in Zone 1, Zone 2, Zone 21 & Zone 22.
- Construction and test standards EN 50014, EN 50019 and EN 50281-1-1. IEC 60079-0 and IEC 60079-7.
- IP66 and IP67 ingress protection to IEC 60529 and EN 60529.
- DTS01 deluge protection witnessed by EECS.
- Operating temperature range -60°C to +75°C.
- Temperature Class and Ambient T6 40°C. Optional T5 with ambients up to 65°C.
- Assembly instruction data sheet No. A.I. 273. For PL620.
- Assembly instruction data sheet No. A.I. 272. For ZPL620.
- Alternative Certification Options Available.
 - Exe II.
 - AExe II/Exe II.

For full Technical Specification see page 13.

TERMINAL CAPACITY DATA							
Terminal Type	Conductor Size (mm ²)		Max. Volts	Max. Physical Terminal Content		Reduced Terminal Content at Max. Terminal Amps	
	Min.	Max.		Terminal Quantity	Amps	Terminal Quantity	Amps
WDU 2.5	0.5	2.5	550	24	15	13	21
WDU 4	0.5	4	750	20	21	11	28
WDU 6	0.5	6	550	15	30	10	36
WDU 10	1.5	10	550	12	42	8	50
WDU 16	1.5	16	550	9	62	8	66
WDU 35	2.5	35	750	6	109	6	109
WDU 70N	10	70	750	4	157	3	167

Notes: For Junction Box Wattage Factor & Combined Terminal Resistance see pages 37 - 39.

An earth terminal equal to that of the largest power terminal will be fitted.